



G I GLAZE

ALUMINIUM & GLASS

Michael Muller : 082 853 8423

Walter Plotz : 083 487 7497

admin@giglaze.co.za

Authorised Distributor and Installers

aluglass®

bautech

ISO 9001
certified by



NEW & IMPROVED DESIGN **VIRUS PROTECTION SCREENS**

Easy to secure! No drilling or any handyman required!
SLEEK & DISCREET DESIGN on Perspex stands!



Applications include:

- schools and training facilities
- any till points
- reception / information desks
- pharmacies / dispensaries
- clinics / hospitals
- retirement facilities
- nail studios

...any place where social distancing is a must and virus protection is essential!

PRICE & QUANTITIES (please note while stocks last)

- Standard screen sizes available:
 - 600mm wide x 680mm high
 - 4mm Clear Plexiglass
 - 760mm wide x 680mm high
 - 1000mm wide x 680mm high

Bottom screen slot sizes from 50mm to 100mm are available.

- Nail Studio screen size:
 - 600mm wide x 500mm high

SCREEN PRICES STARTING FROM R450 EX VAT

Delivery and installation costs to be confirmed on enquiry.
Custom made designs on request.

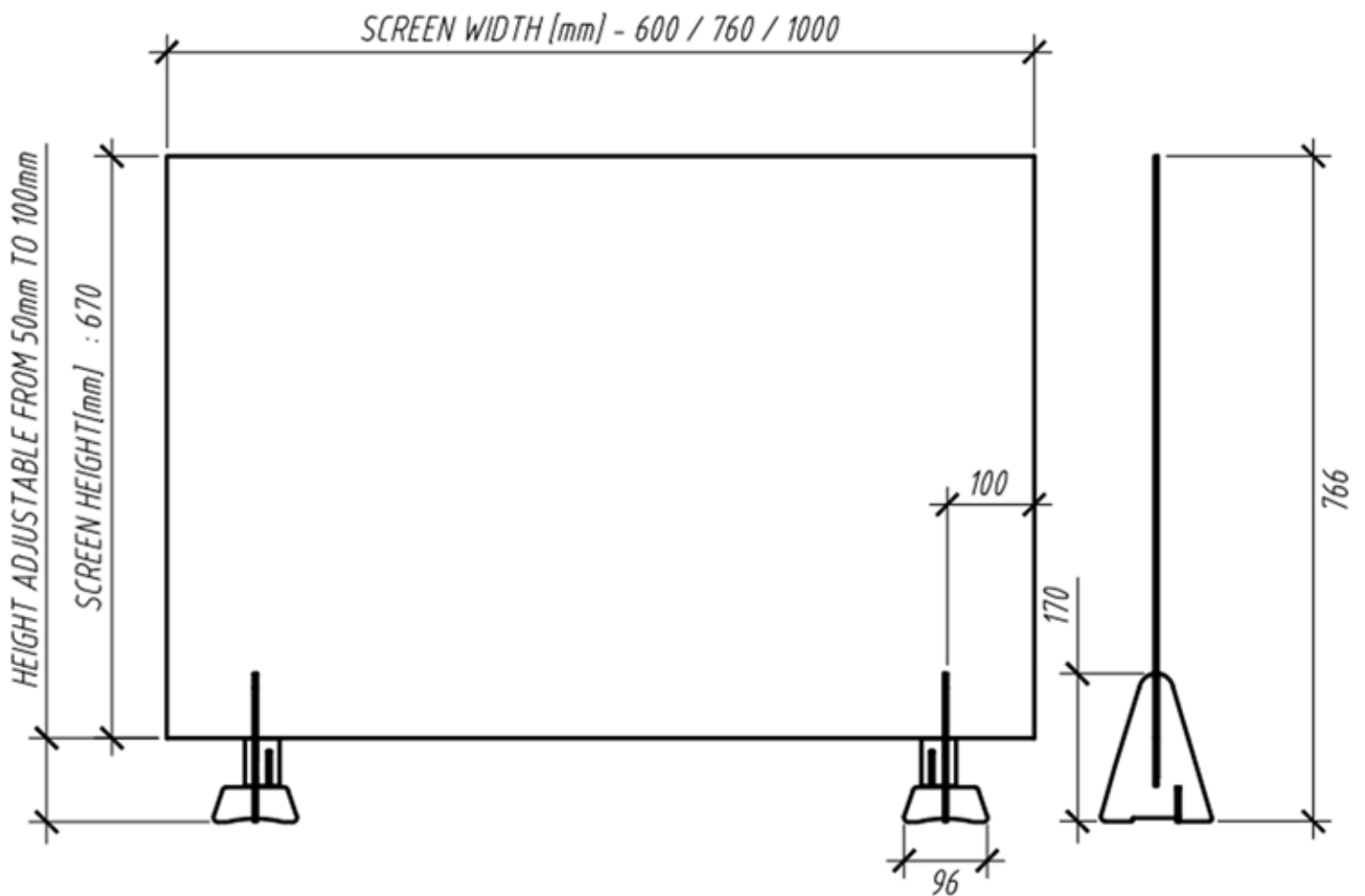


**TO ORDER , CONTACT
MICHAEL MULLER 082 853 8423 / WALTER PLOTZ 083 487 7497**

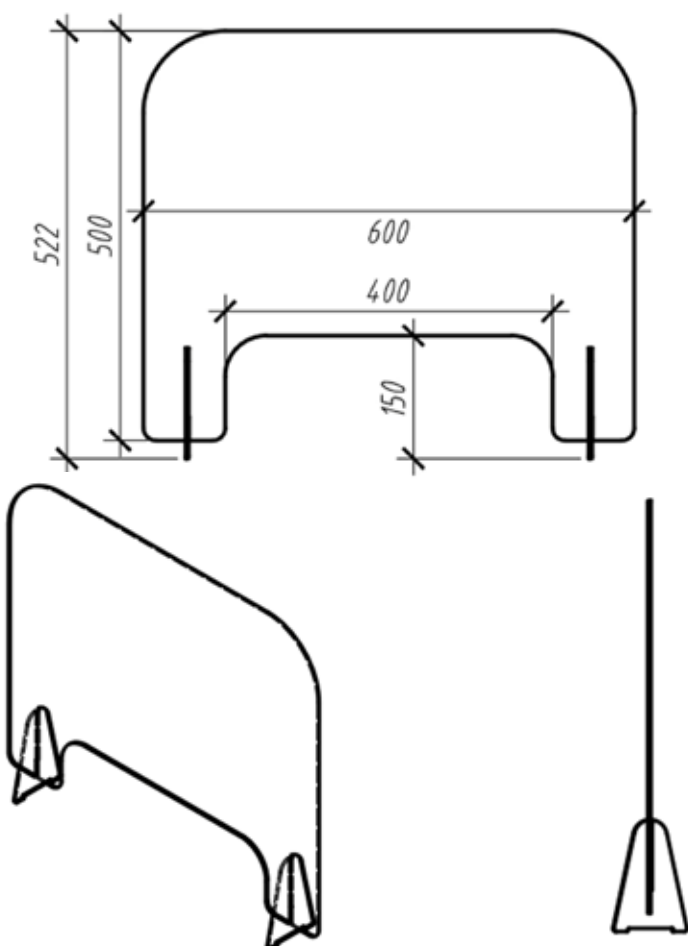
WEBSITE : WWW.GIGLAZE.CO.ZA

E-MAIL : ADMIN@GIGLAZE.CO.ZA

Standard screen drawing and options



Nail Studio screen drawing and example





G I GLAZE

ALUMINIUM & GLASS

Michael Muller : 082 853 8423

Walter Plotz : 083 487 7497

admin@giglaze.co.za

Authorised Distributor and Installers

aluglass[®]
bautech

ISO 9001
certified by



Installation Instruction:

The VIRUS SCREEN comes with a high bond double sided adhesive tape on the underside of the plexi base. Use your isopropanol disinfectant spray or fluid to remove fat residue from the surface the base needs to adhere to. Use a paper towel to dry, pull tap tabs off and place screen firmly on substrate. Apply pressure to areas where tape is.

Tape adhesive cures for approx. 12 hrs until full bond strength is achieved.

Cleaning Instructions:

To clean plexiglass that has slight blemishes or dirt, start off by clearing away any debris. Then, use a premium micro-fibre cloth with soapy water to clean the entire surface area.

After wetting the cloth, be sure to lightly blot the surface, rather than applying pressure as you wipe. Too much pressure can actually cause scratches. After you have wiped the entire piece of acrylic, use the dry side of the cloth to dry or buff the area. Buffing or polishing the acrylic surface reduces future stains. If there are any remaining streaks, wet the cloth and dry again.

Choose Carefully: There are a couple of cleaning items that you'll want to stay away from. In fact, using the wrong cleaning product can completely damage your acrylic displays to the point that they become unusable!

Do not use paper towels, because they will not remove scratches, but may even cause them. Stick with micro-fibre type of cloth. Avoid ammonia based products, like Windex or other home glass cleaners, because they contain harmful chemicals that will actually damage the surface leaving it cloudy looking. Soapy water is the safest and most effective cleaning solution for acrylic.